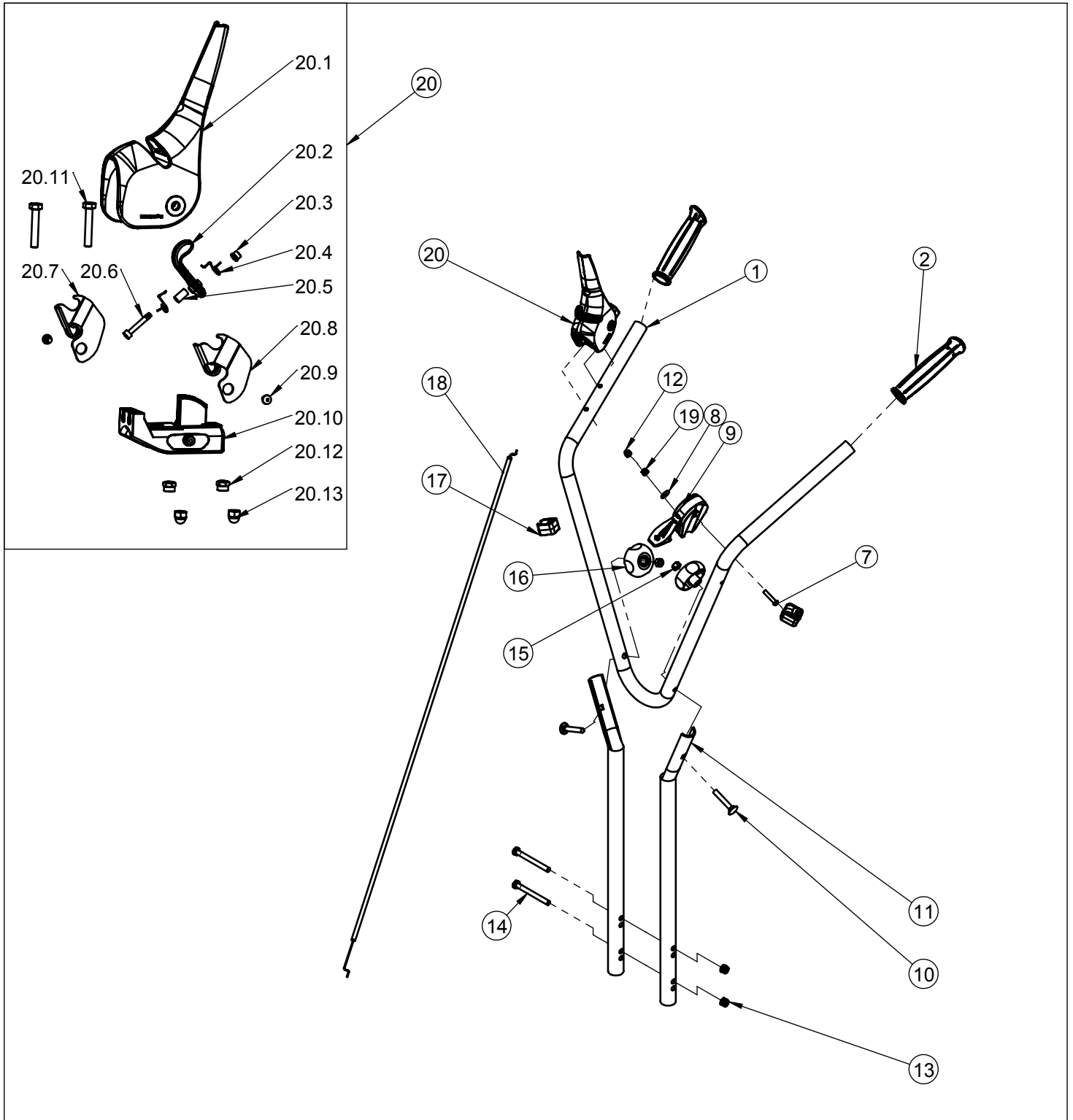


Art.90061116
Year: 2018

Handlebar / Styr



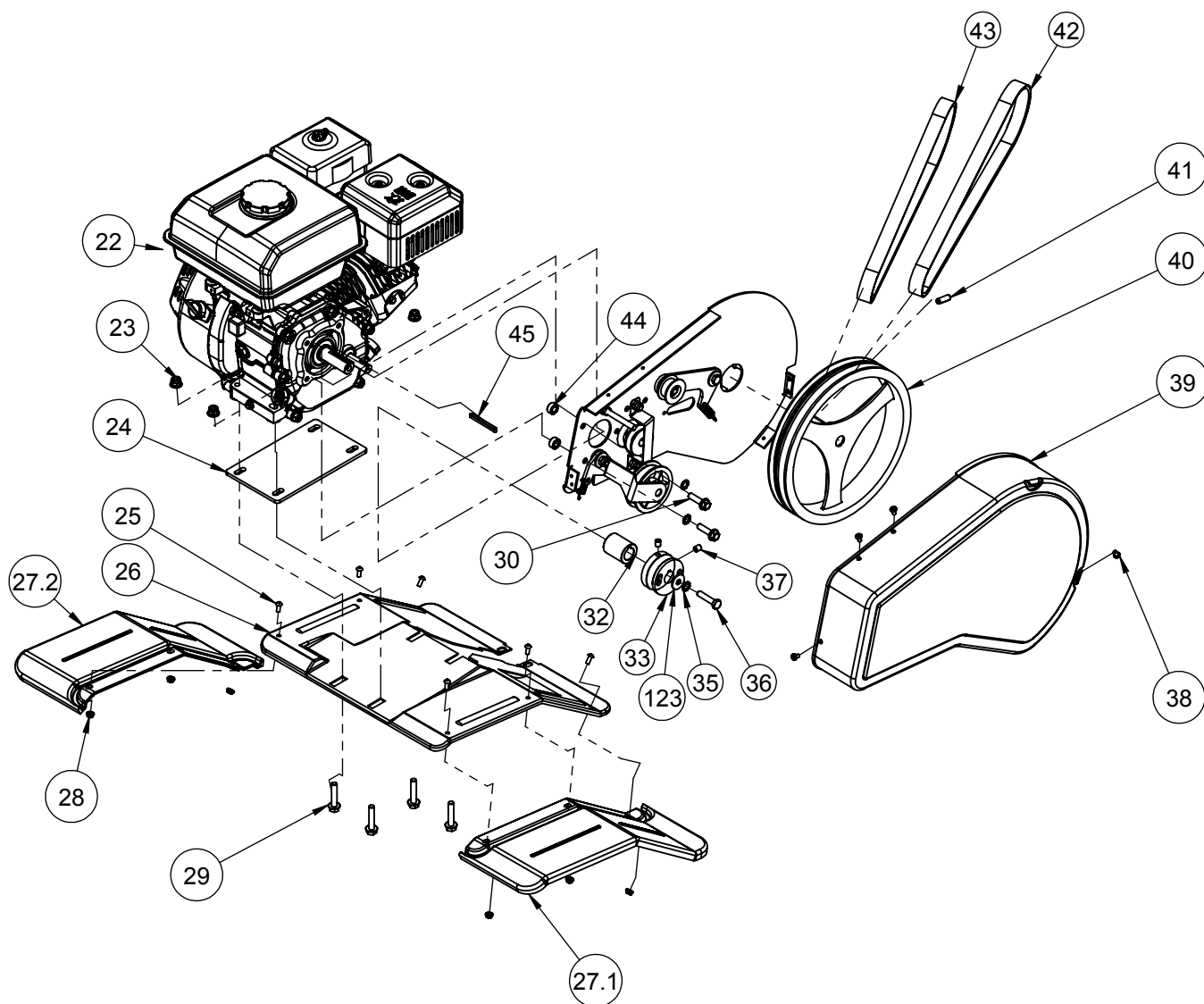
Lilli 535TG Dual-shaft

| POS | QTY | PARTNUMBER | BESKRIVELSE | DESCRIPTION |
|-------|-----|------------|-------------------------|----------------------------------|
| 1 | 1 | 436384 | HÅNDTAG ØVRE | HANDLE BAR |
| 2 | 2 | 414303 | GUMMIHÅNDTAG | HANDLE |
| 7 | 1 | 436385 | BOLT M6X55 | BOLT M6X55 |
| 8 | 1 | 436386 | SKIVE M6 | WASHER 6 |
| 9 | 1 | 435672 | GASGREB | THROTTLE CONTROL |
| 10 | 2 | 431455 | BRÆDDEBOLT M8X50 | STEP BOLT M8X50 |
| 11 | 2 | 425592 | STYRRØR CE | GUIDE TUBE |
| 12 | 1 | 418010 | HÆTTE FOR MØTRIK M6 | HOOD M6 |
| 13 | 7 | 439088 | MØTRIK M8 | NUT M8 |
| 14 | 2 | 431456 | BOLT M8X120 | BOLT M8X120 |
| 15 | 2 | 437449 | MØTRIK M8 | NUT M8 |
| 16 | 2 | 414311 | HÅNDHJUL | KNOB |
| 17 | 2 | 428422 | CLIPS TIL KABEL | CLIPS |
| 18 | 1 | 432588 | GASKABEL | GASKABEL |
| 19 | 1 | 439087 | MØTRIK M6 | NUT M6 |
| 20 | 1 | 431458 | KOBLINGSHÅNDTAG | CLUTCH HANDLE |
| 20.1 | 1 | 436387 | HÅNDTAG | HANDLEBAR COVER WITH ARTWORK(04) |
| 20.2 | 1 | 436388 | RETNINGSVÆLGER | KNOB |
| 20.3 | 1 | 90100689 | LÅSEMØTRIK M4 | LOCKING NUT M4 |
| 20.4 | 2 | 438001 | FJEDER FOR KOBLINGSGREB | SPRING SET FOR CLUTCH HANDLE |
| 20.5 | 1 | 436390 | BØS | TURNING AXIS |
| 20.6 | 1 | 436391 | SKRUE FOR HÅNDTAG M4X30 | HEXAGON SOCKET CAP SCREWS M4X30 |
| 20.7 | 1 | 436392 | PLAST BESLAG, HØJRE | PLASTIC BRACKET RIGHT |
| 20.8 | 1 | 436393 | PLAST BESLAG, VENSTRE | PLASTIC BRACKET LEFT |
| 20.9 | 2 | 436394 | SKRUE ST4.2X10 M4.2X10 | SCREW ST4.2X10 |
| 20.10 | 1 | 436395 | BASE FOR HÅNDTAG | BASE |
| 20.11 | 2 | 437445 | BOLT M6X35 | BOLT M6X35 |
| 20.12 | 2 | 439087 | MØTRIK M6 | NUT M6 |
| 20.13 | 2 | 418010 | HÆTTE FOR MØTRIK M6 | HOOD M6 |

Art.90061116

Year: 2018

V-belt wheel / Motor

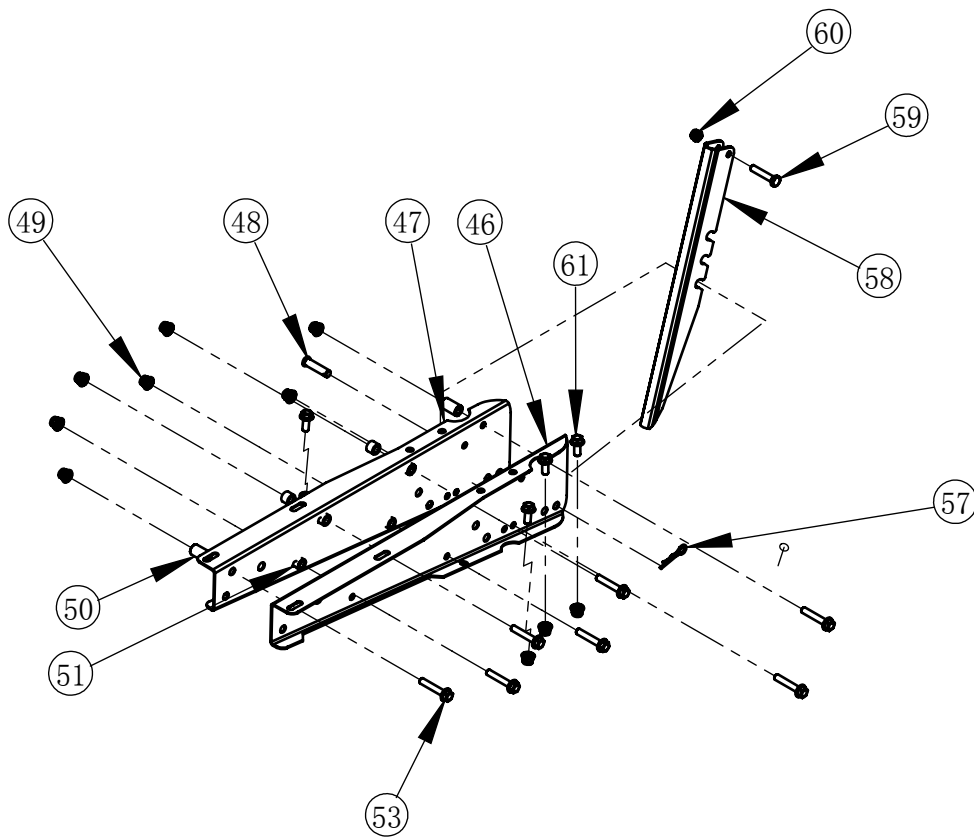


Lilli 535TG Dual-shaft

| POS | QTY | PARTNUMBER | BESKRIVELSE | DESCRIPTION |
|------|-----|------------|----------------------------|-------------------------|
| 22 | 1 | TG722 | TG722 | |
| 23 | 4 | 90100662 | MØTRIK M8 | NUT M8 |
| 24 | 1 | 413367 | UNDERLAG FOR MOTOR GUMMI | FOUNDATION |
| 25 | 6 | 90122401 | UNBRAKOBOLT M5X12 | ALLEN BOLT M5X12 |
| 26 | 1 | 90001265 | KNIVSKÆRM | KNIFE GUARD |
| 27.1 | 1 | 431462 | SKÆRM VENSTRE | SIDE SHEET L |
| 27.2 | 1 | 426938 | SKÆRM HØJRE | GUARD RIGHT |
| 28 | 6 | 90180950 | FLANGEMØTRIK M5 | COLLAR NUT M5 |
| 29 | 4 | 431464 | FLANGEBOLT M8X40 | FLANGE BOLT M8X40 |
| 30 | 2 | 90102744 | SÆTBOLT 8.8 M8X25 | SET BOLT M8X25 |
| 32 | 1 | 439901 | AFSTANDSSKIVE | SPACER BUSHING |
| 33 | 1 | 30000056 | REMSKIVE A53-1-3/4" | BELT PULLEY A53-1-3/4" |
| 123 | 1 | 90120050 | PLANSKIVE M8 | FACE PLATE M8 |
| 35 | 3 | 423927 | STARLOCK M8 | WASHER M8 |
| 36 | 1 | 431467 | BOLT 5/16-24UNF-2BX20 | NUT 5/16-24UNF |
| 37 | 2 | 431468 | PINOLSKRUE MED SPIDS M8X10 | HOLDING SCREW M8X10 |
| 38 | 4 | 429389 | SKRUE FOR REMSKÆRM M5X12 | SCREW M5X12 |
| 39 | 1 | 425595 | SKÆRM CE | GUARD |
| 40 | 1 | 30000052 | PLASTREMSKIVE | BELT PULLEY |
| 41 | 1 | 90104492 | RØRSTIFT 6.0X30 | PIPE PIN 6.0X30 |
| 42 | 1 | 431470 | KILEREM FREM A13X1050 | FORWARD V-BELT A13X1050 |
| 43 | 1 | 436402 | BAKREM Z10X925 | REVERSE V-BELT Z10X925 |
| 44 | 2 | 421645 | BØS | BUSHING |
| 45 | 1 | 437466 | NOT 4,75X40 | ENGINE FLAT KEY 4.75X40 |

Art.90061116
Year: 2018

Supports / Chassis



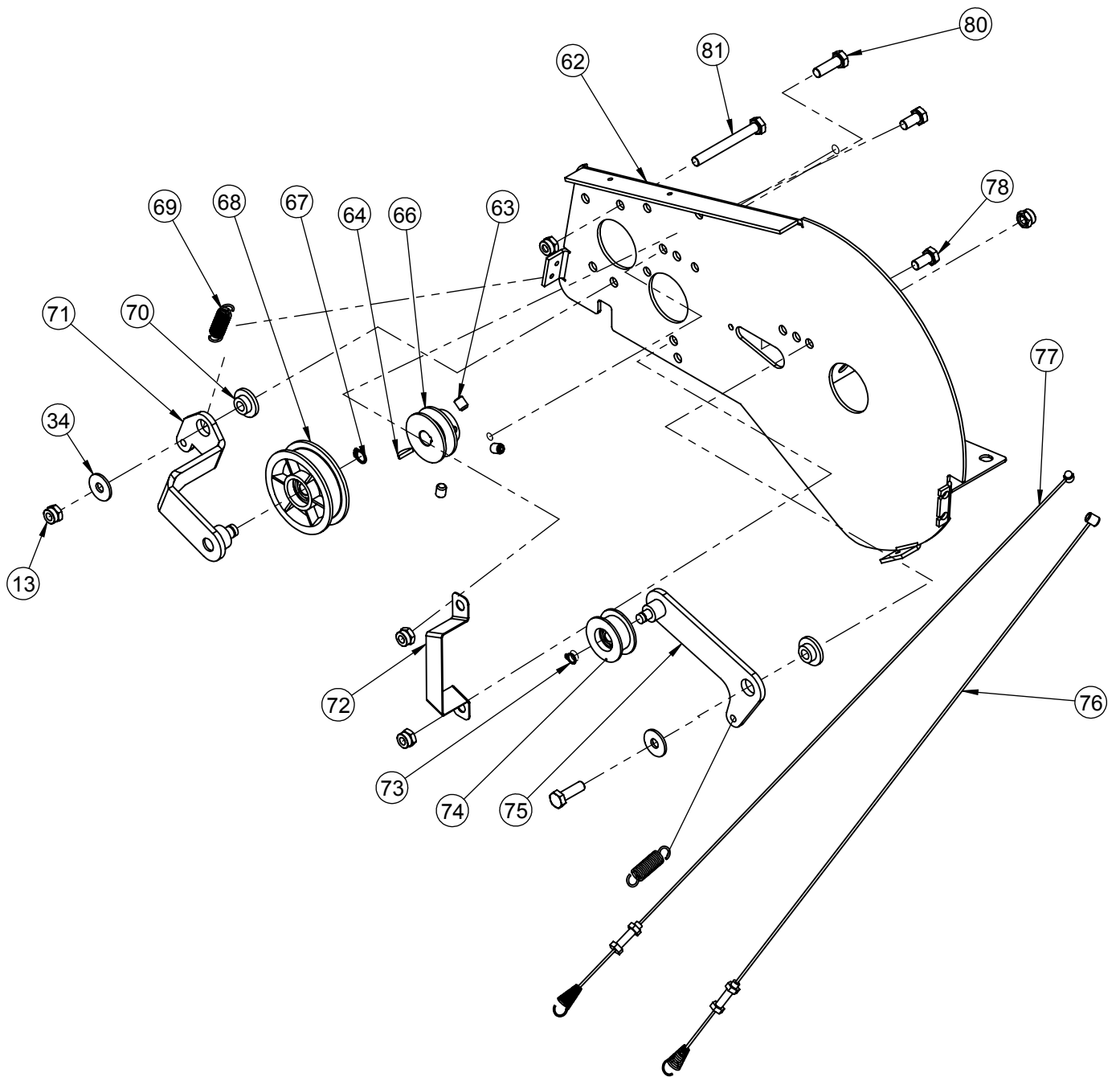
Lilli 535TG Dual-shaft

| POS | QTY | PARTNUMBER | BESKRIVELSE | DESCRIPTION |
|-----|-----|------------|--------------------|---------------------|
| 46 | 1 | 435697 | VANGE VENSTRE | FRAME |
| 47 | 1 | 435700 | VANGE HØJRE | FRAME |
| 48 | 1 | 431472 | SPLITBOLT 10X40 | FB/T882-10X40 |
| 49 | 11 | 90100662 | MØTRIK M8 | NUT M8 |
| 50 | 3 | 30000004 | BØSNING | BUSHING |
| 51 | 8 | 427431 | BØS | BUSHING |
| 53 | 7 | 428324 | FLANGEBOLT M8X45 | COLLAR BOLT M8X45 |
| 57 | 7 | 90000057 | FJEDERSPLIT 2,5MM | SPRING COTTER 2,5MM |
| 58 | 1 | 414141 | JORDSPYD | DEBTH SKID |
| 59 | 1 | 90102914 | STÅLBOLT 8.8 M8X35 | STEEL BOLT M8X35 |
| 60 | 1 | 90100692 | LÅSEMØTRIK M8 | LOCKING NUT M8 |
| 61 | 4 | 438940 | BOLT M8X20 | FLANGE BOLT M8X20 |

Art.90061116

Year: 2018

V-belt plate / Bagplade



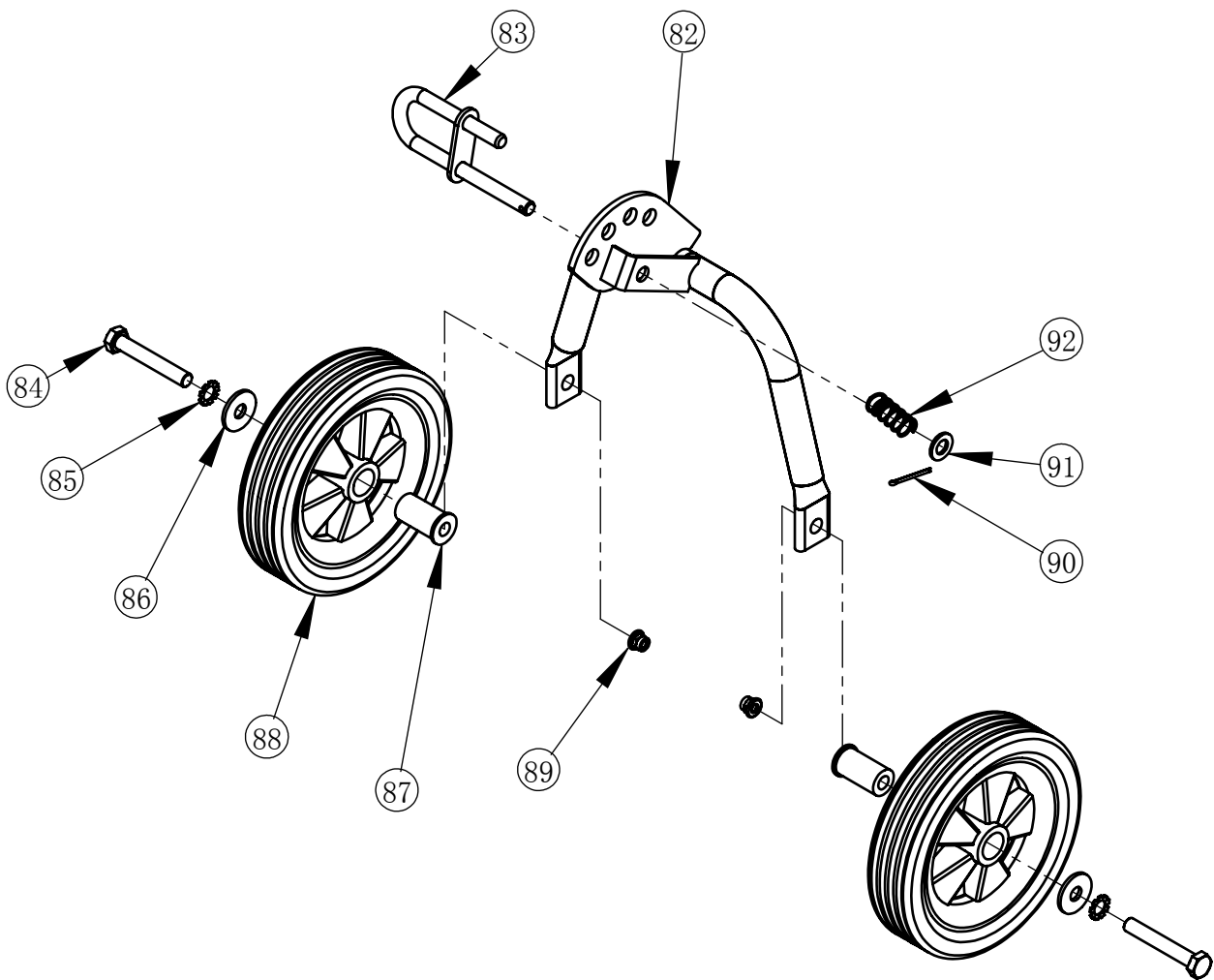
Lilli 535TG Dual-shaft

| POS | QTY | PARTNUMBER | BESKRIVELSE | DESCRIPTION |
|-----|-----|------------|----------------------------|-------------------------------------|
| 34 | 2 | 90102310 | PLANSKIVE M8 | FACE PLATE M8 |
| 62 | 1 | 436405 | KONSOL | REAR MUDGUARD |
| 63 | 3 | 431478 | PINOLSKRUE M6X10 | HOLDING SCREW M6X10 |
| 64 | 1 | 431479 | NOT (WOODRUFF) 3X6,5X16 | WOODRUFF KEY3X6.5X16 |
| 66 | 1 | 431480 | REMSKIVE | REVERSE PULL |
| 67 | 1 | 90102480 | SEEGERRING SORT U10 | RETAINER RING U 10 |
| 68 | 1 | 90307745 | STRAMMERULLE Ø65 - PK | TENSION ROLL Ø65 - PK |
| 69 | 2 | 30000050 | RETURFJEDER | RETURN SPRING |
| 70 | 2 | 30000046 | SKIVE PLAST | WASHER |
| 71 | 1 | 465002 | REMSTRAMMERARM | TIGHTENER ARM (NEW IMPROVE VERSION) |
| 72 | 1 | 439919 | REMSTYR | BELT GUIDE |
| 73 | 1 | 90102476 | LÅSERING 8MM | RETAINER RING U 8 |
| 74 | 1 | 90307779 | STRAMMERULLE Ø30 | TENSION ROLL Ø30 |
| 75 | 1 | 30000216 | BAKARM | LEVER |
| 76 | 1 | 421652 | KOBLINGSKABEL FREM 1560 MM | CLUTCH CABLE |
| 77 | 1 | 421653 | KOBLINGSKABEL BAK 1350MM | CLUTCH CABLE |
| 78 | 2 | 90102741 | SÆTBOLT 8.8 M8X16 | SET BOLT M8X16 |
| 80 | 2 | 90102744 | SÆTBOLT 8.8 M8X25 | SET BOLT M8X25 |
| 81 | 1 | 90102752 | SÆTBOLT 8.8 M8X70 | SET BOLT M8X70 |

Art.90061116

Year: 2018

Support wheel / Støttehjul



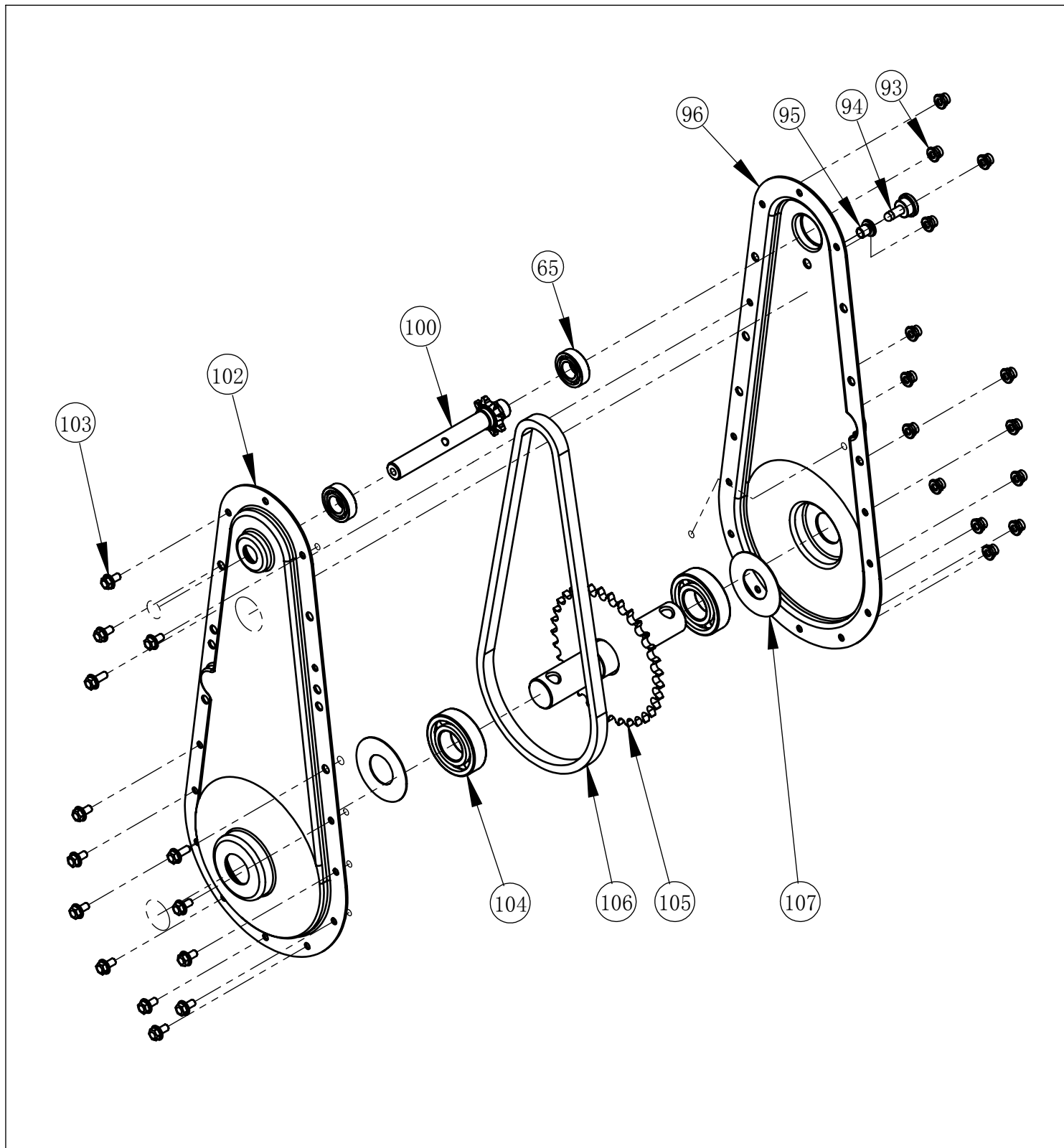
Lilli 535TG Dual-shaft

| POS | QTY | PARTNUMBER | BESKRIVELSE | DESCRIPTION |
|-----|-----|--------------|---------------------------------------|-------------------|
| 82 | 1 | 30000076 | HJULSBØJLE | WHEEL CLAMP |
| 83 | 1 | 90001151 | LÅS | LOCK |
| 84 | 2 | 90102947 | STÅLBOLT 8.8 M10X65 | STEEL BOLT M10X65 |
| 85 | 2 | 11GB/T862110 | TANDSKIVE M10 | WASHER M10 |
| 86 | 2 | 90102311 | PLANSKIVE M10 | FACE PLATE M10 |
| 87 | 2 | 414337 | HJULBØS Ø20 | BUSHING |
| 88 | 2 | 90304211 | HJUL, MASSIV M/PLASTFÆLG 175X35X20 | WHEEL 175X35X20 |
| 89 | 2 | 90100663 | MØTRIK M10 | NUT M10 |
| 90 | 1 | 431488 | SPLIT 2,5X32 | COTTER PIN 2.5X32 |
| 91 | 1 | 437463 | SKIVE 10 | WASHER 10 |
| 92 | 1 | 90001153 | FJEDER | SPRING |

Art.90061116

Year: 2018

Chain box / Kæde boks



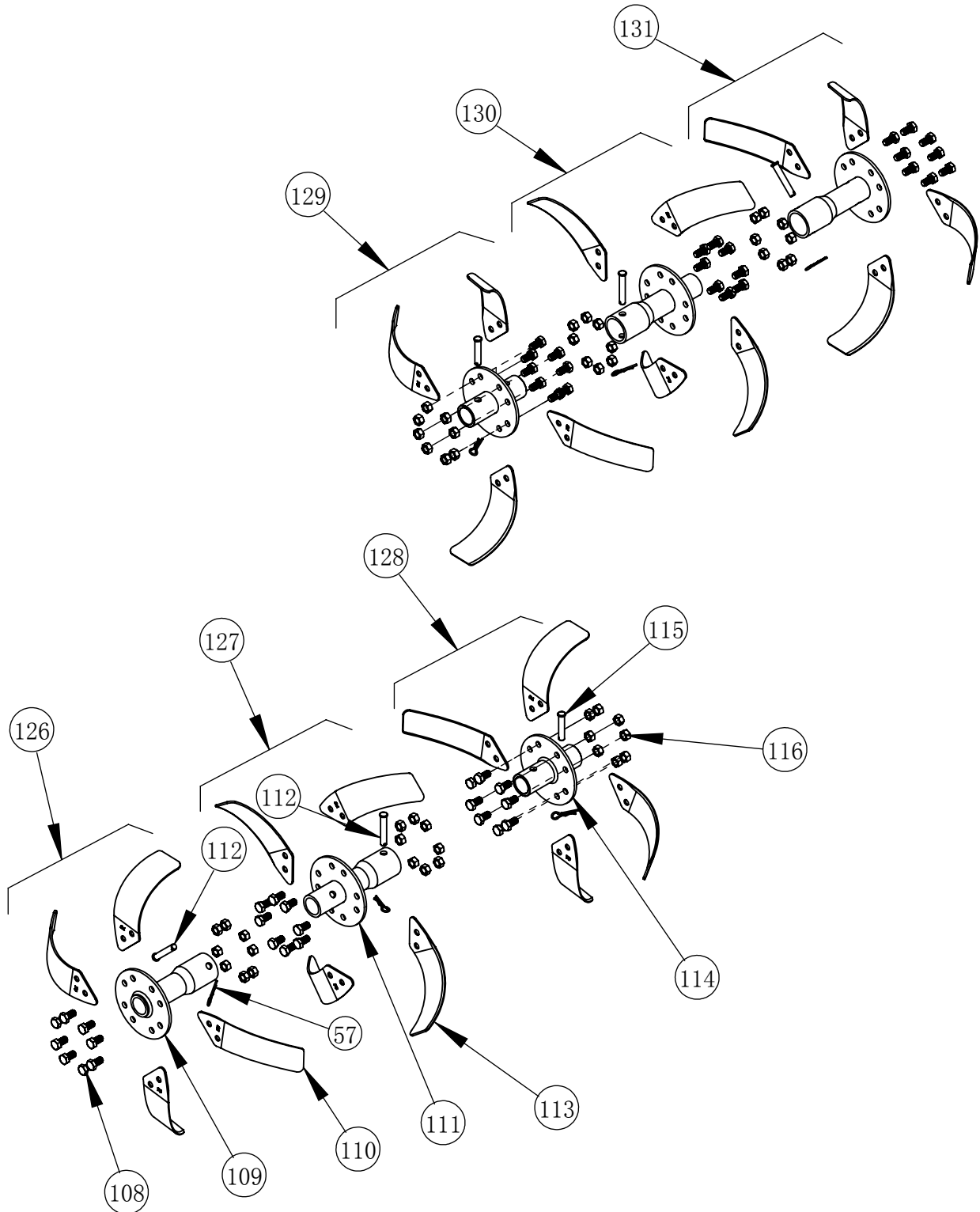
Lilli 535TG Dual-shaft

| POS | QTY | PARTNUMBER | BESKRIVELSE | DESCRIPTION |
|-----|-----|------------|------------------------------|-------------------------------|
| 65 | 2 | 90200222 | KUGLELEJE 17X35X10 | BALL BEARING 17X35X10 |
| 93 | 14 | 429974 | FLANGEMØTRIK M6 | HEX FLANGE SCREW |
| 94 | 1 | 90000323 | OLIEPROP | OIL PLUG |
| 95 | 1 | 90000324 | BØSNING | BUSHING |
| 96 | 1 | 436406 | KÆDEKASSE HALVDEL VENSTRE | CHAIN BOX L |
| 100 | 1 | 436407 | INDSGANGSAKSEL | INPUT SHAFT8T |
| 102 | 1 | 436408 | KÆDEKASSE HAVLDEL HØJRE | CHAIN BOX R |
| 103 | 14 | 438947 | BOLT M6X14 | FLANGE BOLT M6X14 |
| 104 | 2 | 431492 | KUGLELEJE 30X62X16 | BALL BEARING 6206-2Z |
| 105 | 1 | 436409 | UDGANGSAKSEL | OUTER SHAFT40T |
| 106 | 1 | 435707 | KÆDE | LOWER COVER OF RIGHT PANEL |

Art.90061116

Year: 2018

Knives / Knife



Lilli 535TG Dual-shaft

| POS | QTY | PARTNUMBER | BESKRIVELSE | DESCRIPTION |
|-----|-----|------------|--------------------------------|----------------------|
| 108 | 48 | 90102771 | SÆTBOLT 8.8 M10X20 | SET BOLT M10X20 |
| 109 | 2 | 90000012 | KNIVRØR YDRE | BLADE YDRE |
| 110 | 12 | 90000215 | KNIVBLAD HØJRE 200/3/50 | KNIFE BLADE 200/3/50 |
| 111 | 2 | 421664 | KNIVRØR INDRE | KNIFE TUBE INDRE |
| 112 | 4 | 90000007 | SPLITBOLT 10X60 | COTTER BOLT 10X60 |
| 113 | 12 | 90000214 | KNIVBLAD VENSTRE 200/3/50 | KNIFE BLADE 200/3/50 |
| 114 | 2 | 421665 | KNIVRØR | KNIFE TUBE |
| 115 | 2 | 425076 | SPLITBOLT M10X50 | COTTER BOLT M10X50 |
| 116 | 48 | 90100663 | MØTRIK M10 | NUT M10 |
| 126 | 1 | 90000093 | KNIVROTOR VENSTRE YDRE | KNIFE ROTOR |
| 127 | 1 | 425220 | KNIVROTOR VENSTRE MELLEM | |
| 128 | 1 | 421668 | KNIVROTOR VENSTRE INDVENDIG | KNIFE ROTOR VENSTRE |
| 129 | 1 | 421667 | KNIVROTOR HØJRE INDVENDIG | KNIFE ROTOR HØJRE |
| 130 | 1 | 425221 | KNIVROTOR HØJRE MELLEM | |
| 131 | 1 | 90000094 | KNIVROTOR HØJRE YDRE | KNIFE ROTOR |